



# New Guard Coatings Group

A global reputation to protect.

The information herewith is given with the best of New Guard Coatings Group knowledge.

Rights are reserved to change and update the data without notice.

This information is not exhaustive and it is the user's responsibility to ensure that this data sheet is the most current by contacting their local New Guard Coatings Group branch prior to using the coating/product.

[www.newguardcoatings.com](http://www.newguardcoatings.com)

NORTH • SOUTH EAST • MIDLANDS • NORTH WEST • HULL • SCOTLAND

## Biodegradation resistant sealant

### Uses

Nitoseal PU12 is a two-part sealant designed to meet many of the requirements of the water industry in water retaining structures, sewage treatment and sea defence works. It is resistant to the bacteriological conditions associated with sewage treatment and silt accumulations in water storage. The abrasion resistance of Nitoseal PU12 makes it also appropriate for use for sealing movement joints in concrete sea walls subject to tidal scour.

The principal applications for Nitoseal PU12 are:

- Sludge digestion tanks
- Filtration and aeration tanks
- Culverts
- Raw water reservoirs
- Sea walls

### Advantages

- Resistant to aerobic and anaerobic bacteriological attack
- Excellent adhesion under immersed conditions
- Abrasion resistant
- Separate component for accelerating the initial cure

### Description

Nitoseal PU12 is a two-part, elastomeric joint sealant based on polyurethane technology. It is supplied in packs containing base compound and curing agent in the correct proportions which, when mixed, cure to form a tough rubber-like material. Adhesion to most commonly used construction materials is excellent.

The use of Fosroc Primer 7 is essential to ensure proper adhesion on porous surfaces.

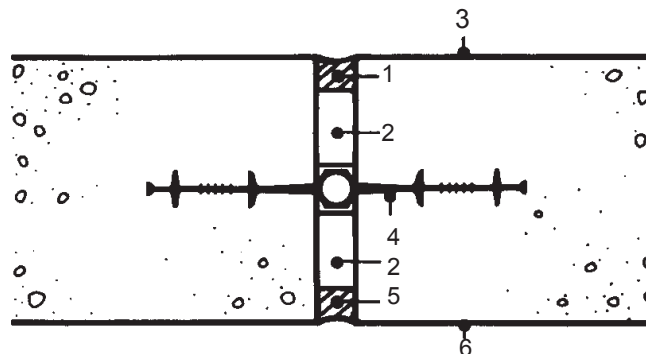
In special circumstances, such as sealing sea defence works in tidal areas, a special Nitoseal PU12 accelerator component is available, to be added when mixing to enhance the initial cure rate, so that work can be completed between tides. At 10°C the seal can be subjected to tidal immersion approximately 60 minutes after application, without adverse effect.

### Specification clauses

Joints shall be sealed, where designated, using Nitoseal PU12, two-part biodegradation resistant sealant manufactured and supplied by Fosroc. The sealant shall be mixed and applied strictly in accordance with the manufacturer's printed instructions.

## Design criteria

Example of an expansion joint in a reservoir wall is shown below



- |                  |                        |
|------------------|------------------------|
| 1 Nitoseal MS600 | 4 Supercast Hydrofoil* |
| 2 Hydrocell XL*  | 5 Nitoseal PU12        |
| 3 Water face     | 6 External face        |

\* Also available from Fosroc

# Fosroc® Nitoseal PU12

formerly Nitoseal 12

## Properties

### Technical data — Nitoseal PU12

<b>Form:</b>	Two-part compound Base: White paste Curing agent: Dark-grey paste
<b>Storage life:</b>	12 months in original containers in cool, dry conditions
<b>Solids content:</b>	100%
<b>Density:</b>	1.44 kg/litre
<b>Colour:</b>	Grey
<b>Physical/chemical change:</b>	Chemical cure
<b>Application temperature:</b>	5°C to 50°C
<b>Pot life:</b>	2 to 3 hours at 25°C With accelerator 20 minutes at 25°C
<b>Cure rate:</b>	48 hours at 25°C With accelerator 24 hours at 25°C
<b>Cure time:</b>	48 hours at 25°C 96 hours at 10°C Permanent immersion in water should not occur until full cure has taken place

Note: The above times will be reduced by approximately 50% if the accelerator is used.

In a tidal situation, the sealant should incorporate the accelerator and the sealing operation should be completed at least 1 hour at 10°C prior to immersion.

### Hardness Shore

'A' at 25°C: 35° to 40°

**Flammability:** Burns but does not readily support combustion

**Biological resistance:** Good resistance to both aerobic and anaerobic conditions normally occurring in sewage treatment works

### Movement accommodation factor:

20% in butt joints

### Technical data — Nitoseal PU12 accelerator

<b>Flash point:</b>	Over 65°C
<b>Storage life:</b>	12 months in original containers in cool, dry conditions
<b>Pack size:</b>	50 ml

## Application instructions

### Joint preparation

Joints to be sealed must be accurately formed. They must be dry, clean and frost free. Dust, dirt, weak laitance, old failed sealant and other foreign substances must be removed.

Ensure that expansion joint fillers are tightly packed and that no voids are left at the base of the sealing slot.

Insert a self-adhesive polyethylene bond breaking tape at the base of the joint. (Soft foam back-up material should not be used.)

### Priming

Prime the sides of the sealing slot using the appropriate Fosroc primer. Apply by brush, working well in, ensuring complete coverage.

Porous surfaces: Fosroc Primer 7.

NB: Avoid using too much primer resulting in pools in the base of the joint.

Allow the primer to dry. The sealant may be applied within the time period 30 minutes to 3 hours. That is after the primer solvent has evaporated but before the film has fully reacted. Any primed surfaces left longer than 3 hours must be re-primed before applying the sealant.

### Mixing

Add the curing agent to the base component tin. Mix thoroughly using a slow speed drill (300 to 500 rpm) fitted with a Fosroc Sealant Mixing Paddle. Mix for 3 minutes then scrape down the sides and bottom of the tin using a spatula, mix for a further 2 minutes. Only thorough mixing, including material right at the bottom of the tin, will result in proper curing. In cold weather Nitoseal PU12 mixes more easily if stored overnight at room temperature.

Note: If Nitoseal PU12 accelerator is used it should be stirred well before adding to the base with the curing agent prior to mixing.

Mix using a slow speed drill (300 to 500 rpm) fitted with a Fosroc Sealant Mixing Paddle for not less than 4 minutes until a uniform colour is achieved with no streakiness.

### Application

Load the mixed Nitoseal PU12 into a Fosroc 'G' gun using a Follower Plate. Compact the Nitoseal PU12 into the primed joint. Tool off leaving a smooth finish.

### Finishing

Nitoseal PU12 can be finished by tooling-off smooth using a metal or wooden spatula. A minimum amount of detergent may be used to ease this operation. Remove all masking tapes immediately after tooling. Excessive tooling can cause surface drag, this should be avoided.

# Fosroc® Nitoseal PU12

formerly Nitoseal 12

## Cleaning

Clean equipment immediately after use with Fosroc Equipment Cleaner.

## Estimating

### Packaging

Nitoseal PU12 is supplied in a carton of 4 x 2.0 litre units.

Nitoseal PU12 accelerator is supplied in small, lever lid tins in packs of PU12. One tin of accelerator is required for each 2 litre tin of Nitoseal PU12.

Fosroc Equipment Cleaner is supplied in 5 litre tins.

### Guide to Nitoseal PU12 quantities

Joint size in mm (w x d)	Litres per metre run	Metre run per 2 litre
5 x 5	0.025	80.0
10 x 5	0.050	40.0
20 x 10	0.200	10.0
25 x 15	0.375	5.3
30 x 15	0.450	4.4
40 x 20	0.800	2.5
50 x 25	1.300	1.6

### Guide to primer quantities

Joint depth	Primer 7	
	500ml pack	5 litre pack
10 mm	300 - 375 m	3000 - 3750 m
15 mm	300 - 250 m	3000 - 2500 m
20 mm	150 - 188 m	1500 - 1875 m
25 mm	120 - 150 m	1200 - 1500 m
30 mm	100 - 125 m	1000 - 1250 m
40 mm	75 - 94 m	750 - 938 m
50 mm	60 - 75 m	600 - 750 m

**Application temperature:** 5°C to 50°C

**Drying time Primer 7:** 20 to 60 minutes

Yields are theoretical and no allowance has been made for variations in joint dimensions, substrate or wastage.

## Storage

Storage life of 12 months. Store in original containers in cool, dry conditions between 5°C and 27°C.

Fosroc Primer 7 and Fosroc Equipment Cleaner must be stored in accordance with the Highly Flammable Liquids and Liquefied Petroleum Gases Regulations 1972.

## Precautions

### Health and safety

**Nitoseal PU12, Nitoseal PU12 accelerator, Fosroc Primer 7, Fosroc Equipment Cleaner:**

For further information refer to appropriate Product Safety Data Sheet.

### Fire

Nitoseal PU12 and Nitoseal PU12 accelerator are non-flammable.

Fosroc Primer 7 and Fosroc Equipment Cleaner are highly flammable. See below details of flashpoint:

### Flashpoint

Primer 7 23°C

Fosroc Equipment Cleaner : 44°C

Fosroc and Nitoseal are trademarks of Fosroc International Limited



#### Important note

Fosroc products are guaranteed against defective materials and manufacture and are sold subject to its standard Conditions for the Supply of Goods and Services, copies of which may be obtained on request. Whilst Fosroc endeavours to ensure that any advice, recommendation, specification of information it may give is accurate and correct, it cannot, because it has no direct or continuous control over where or how its products are applied, accept any liability either directly or indirectly arising from the use of its products, whether or not in accordance with any advice, specification, recommendation of information given by it. All Fosroc datasheets are updated on a regular basis. It is the user's responsibility to obtain the latest version.

## Fosroc Limited

Drayton Manor Business Park  
Coleshill Road, Tamworth,  
Staffordshire B78 3XN. UK

[www.fosroc.com](http://www.fosroc.com)

**telephone:**  
+44 (0) 1827 262222

**fax:**  
+44 (0) 1827 262444

**email:**  
enquiryuk@fosroc.com



Certificate number FM 610