

# Conbextra EP

constructive solutions

## Epoxy resin free-flow grouts

### Uses

For use in situations where heavy dynamic or mobile loads are encountered, e.g. reciprocating machinery, testing equipment, heavy crane and transporter rails, high speed turbines, centrifuges and drop forges.

Also for use in conditions where chemical spillage may be encountered. Typical situations could be met in refineries, electroplating works and chemical plants.

### Advantages

- Low creep characteristics under sustained loading
- Resistant to repetitive dynamic loads
- Non-shrink, ensuring complete surface contact and bond
- High compressive, tensile and flexural strengths
- Fast, convenient installation with rapid strength gain
- Withstands a wide range of chemicals

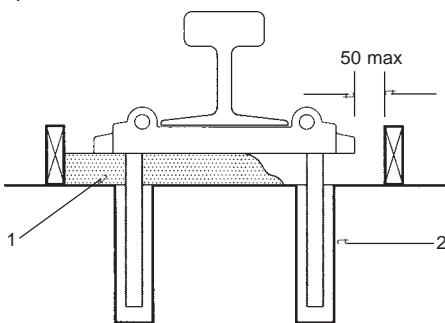
### Description

Conbextra EP are epoxy resin based products designed for free-flow grouting of gap thicknesses from 0.25 to 120 mm. Two grades of product are available:

Conbextra EP10 for grouting gap thicknesses from 0.25 to 10 mm. An all-liquid system consisting of a base and hardener.

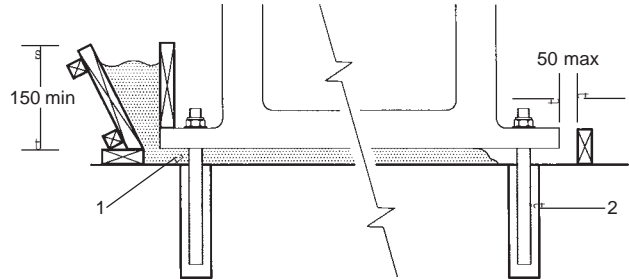
Conbextra EPR for grouting gap thicknesses from 10 to 120 mm. A three-component system consisting of base resin, liquid hardener and specially graded inert fillers.

Example of Conbextra EP grout to individual rail baseplate:



- 1 Conbextra EP grout  
 2 \*Lokfix resin anchor  
 \* Also available from Fosroc.

Example of Conbextra EP grout to machinery baseplate:



- 1 Conbextra EP grout  
 2 \*Lokfix resin anchor  
 \* Also available from Fosroc.

### Specification clauses

#### Performance specification

All epoxy resin grouting where shown on the drawings, must be carried out with a factory packed product manufactured by a BSi registered firm. The hardened grout must have a compressive strength which exceeds 80 N/mm<sup>2</sup> at 7 days, a tensile strength which exceeds 14 N/mm<sup>2</sup> at 7 days and a flexural strength which exceeds 31 N/mm<sup>2</sup> at 7 days.

The storage, handling and placement of the grout must be in strict accordance with the manufacturer's instructions.

### Properties

The following results are typical for the hardened grout at 20°C.

Test method for	Typical result	
	EP10	EPR
Density:	1060 kg/m <sup>3</sup>	2025 kg/m <sup>3</sup>
Compressive strength (BS 6319, Part 2: 1983) —		
6 hours (24°C):	—	38 N/mm <sup>2</sup>
1 day:	57 N/mm <sup>2</sup>	91 N/mm <sup>2</sup>
3 days:	66 N/mm <sup>2</sup>	95 N/mm <sup>2</sup>
7 days:	83 N/mm <sup>2</sup>	101 N/mm <sup>2</sup>
Tensile strength (BS 6319, Part 7: 1985) —		
7 days:	29 N/mm <sup>2</sup>	14.2 N/mm <sup>2</sup>
Flexural strength (BS 6319, Part 3: 1990) —		
7 days:	91 N/mm <sup>2</sup>	32.5 N/mm <sup>2</sup>
Secant modulus (BS 6319, Part 6: 1984):	—	13.3 kN/mm <sup>2</sup>

# Conbextra EP

## Chemical resistance

All Conbextra EP products are resistant to oil, grease, fats, most chemicals, mild acids and alkalis, fresh and sea water. Consult Fosroc's Customer Service Department when exposure to solvents or concentrated chemicals is anticipated.

## Pot life

Ambient temperature affects the time for which bulk material will remain fluid.

Typical values in minutes are:

	10°C	20°C	30°C
EP10:	40	20	10
EPR:	60	30	15

## Exotherm

All epoxy systems will develop a temperature rise on mixing. Its extent will be a function of the volume to surface ratio, the ambient temperature as well as the mass and thermal conductivity of the surrounding materials. Contact Fosroc for specific data on each product.

## Application instructions

### Preparation

#### Foundation surface

All contact surfaces must be free from oil, grease, free-standing water or any loosely adherent material. Concrete surfaces should be cut back to a sound base. All dust must be removed and bolt holes or fixing pockets blown clean of any dirt or debris.

#### Steel surfaces

All steel surfaces should be shot blasted free of rust and flaky mill scale. Cleaned surfaces may be protected by the application of Nitoprime 28.

#### Formwork

The formwork should be constructed to be leakproof as Conbextra EP products are free-flowing grouts. Loss of grout once the material is placed, but not hardened, will result in incomplete filling of the gap.

For free-flow grout conditions it is essential to provide a hydrostatic head of grout. To achieve this a feeding hopper system should be used.

#### Mixing

Pour all the contents of the hardener pack into the base

container. Mix using a slow speed power drill and paddle until homogeneous.

Pour all the resultant liquid into a container with a capacity of 15 to 25 litres. Add all the filler provided for each product. Mix using a slow speed power drill and paddle for 2 minutes or until a uniform colour is achieved in the grout.

## Placing

The mixed grout should be poured steadily from one side only to eliminate the entrapment of air.

Continuous grout flow is essential.

Sufficient grout must be available prior to starting.

The time taken to pour a batch should be regulated to the time taken to prepare the next batch.

## Flow characteristics

The maximum distance of flow is governed by the gap thickness, the head of grout applied and the ambient temperature. The following table gives typical data for flow design.

	°C	Gap thickness (mm)	Hydrostatic head (mm)	Maximum flow (mm)
EP10:	Flow determined by gap thickness and pressure applied			
EPR:	5	12	100	450
	5	35	100	900
	20	12	100	900
	20	35	100	2000

## Cleaning

All tools and equipment should be cleaned immediately after use with Fosroc Solvent 102. Spillages should be absorbed with sand or sawdust and disposed in accordance with local regulations.

## Estimating

### Supply

EP10:	3 litre packs containing liquid base and hardener
EPR:	8 and 16 litre packs containing base, hardener and filler

**Fosroc Solvent 102:** 5 & 25ltr containers



# Conbextra EP

---

## Limitations

### Temperature

During application:

For both products grouting may be carried out without special precautions at ambient temperatures from 5°C to 25°C. Where temperatures exceed 20°C note the pot life given previously.

In service:

The cured grouts, which are completely resistant to frost and sub-zero temperatures, are suitable for use up to 45°C.

### Storage

Conbextra EP products have a shelf life of 12 months if kept in dry conditions at 20°C.

## Precautions

### Health and safety

For further information refer to appropriate Product Safety Data Sheet.

### Fire

Fosroc Solvent 102 is flammable. In the event of fire extinguish with CO<sub>2</sub> or foam.

### Flash point

---

Fosroc Solvent 102:	33°C
---------------------	------

---

Conbextra is the trade mark of Fosroc International Limited



#### Important note

Fosroc products are guaranteed against defective materials and manufacture and are sold subject to its standard Conditions for the Supply of Goods and Services, copies of which may be obtained on request. Whilst Fosroc endeavours to ensure that any advice, recommendation, specification of information it may give is accurate and correct, it cannot, because it has no direct or continuous control over where or how its products are applied, accept any liability either directly or indirectly arising from the use of its products, whether or not in accordance with any advice, specification, recommendation of information given by it.

## Fosroc Limited

Drayton Manor Business Park  
Coleshill Road, Tamworth,  
Staffordshire B78 3TL. UK

[www.fosroc.com](http://www.fosroc.com)

**telephone:**  
+44 (0) 1827 262222

**fax:**  
+44 (0) 1827 262444

**email:**  
uk@fosroc.com



Certificate number FM 610